

150# Stainless Fittings

Specifications

- Stainless Castings conform to ASTM A351
- Stainless Wrought Fittings conform to ASTM A182, Barstock to ASTM A479
- Stainless Fitting Dimensions conform to MSS SP-114 (except Wall & Bands)
- NPT Threads conform to ASME B1.20.1
- Stainless Fittings have SCI Trademark
- Manufacturing Facility is ISO 9001:2000
- Independent lab verification that fittings meet applicable chemical & physical properties

SCI Quality Plus

- Quality control inspections both at the overseas factory and our US warehouses
- Company engineer available at your request
- \$10,000,000 product liability insurance
- Pro Pak System makes products easier to handle and warehouse
- Orders shipped with in 24 hours
- Fax confirmation of every order
- Knowledgeable customer service personnel

Warranty and Limitations of Liability

90° Elbow

Size	Dimensions (in)			Weight (lb)
	A	B	C	
1/8	0.81	-	-	0.140
1/4	0.81	-	-	0.110
3/8	0.93	-	-	0.190
1/2	1.12	-	-	0.360
3/4	1.31	-	-	0.560
1	1.50	-	-	0.930
1-1/4	1.75	-	-	1.060
1-1/2	1.93	-	-	1.730
2	2.25	-	-	2.350
2-1/2	2.68	-	-	4.380
3	3.06	-	-	6.380
4	3.81	-	-	10.30

90° Street Elbow

Size	Dimensions (in)			Weight (lb)
	A	B	C	
1/8	1.06	0.81	-	0.090
1/4	1.18	0.81	-	0.140
3/8	1.43	0.93	-	0.200
1/2	1.62	1.12	-	0.320
3/4	1.87	1.31	-	0.500
1	2.12	1.50	-	0.860
1-1/4	2.50	1.75	-	1.280
1-1/2	2.75	1.93	-	1.580
2	3.25	2.25	-	2.390
2-1/2	3.87	2.68	-	5.760
3	4.50	3.06	-	7.860
4	5.68	3.81	-	15.23

45° Elbow

Size	Dimensions (in)			Weight (lb)
	A	B	C	
1/8	0.69	-	-	0.120
1/4	0.69	-	-	0.090
3/8	0.81	-	-	0.120
1/2	0.87	-	-	0.310
3/4	1.00	-	-	0.560
1	1.12	-	-	0.770
1-1/4	1.31	-	-	1.120
1-1/2	1.43	-	-	1.560
2	1.68	-	-	2.060
2-1/2	1.93	-	-	3.800
3	2.18	-	-	5.870
4	2.62	-	-	9.540

Tee

Size	Dimensions (in)			Weight (lb)
	A	B	C	
1/8	0.69	-	-	0.200
1/4	0.69	-	-	0.140
3/8	0.81	-	-	0.260
1/2	0.87	-	-	0.530
3/4	1.00	-	-	0.740
1	1.12	-	-	1.230
1-1/4	1.31	-	-	2.030
1-1/2	1.43	-	-	2.180
2	1.68	-	-	3.480
2-1/2	1.93	-	-	5.910
3	2.18	-	-	9.370
4	2.62	-	-	16.01

Cross

Size	Dimensions (in)			Weight (lb)
	A	B	C	
1/8	0.69	-	-	0.370
1/4	0.69	-	-	0.310
3/8	0.81	-	-	0.490
1/2	0.87	-	-	0.850
3/4	1.00	-	-	1.190
1	1.12	-	-	1.490
1-1/4	1.31	-	-	2.030
1-1/2	1.43	-	-	2.970
2	1.68	-	-	4.310
2-1/2	1.93	-	-	7.550
3	2.18	-	-	9.810
4	2.62	-	-	17.80

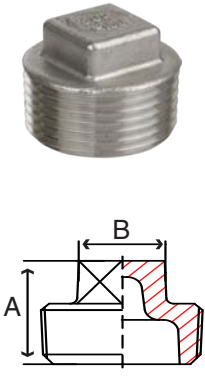
Union

Size	Dimensions (in)			Weight (lb)
	A	B	C	
1/8	1.26	0.93	-	0.240
1/4	1.44	1.10	-	0.210
3/8	1.61	1.26	-	0.280
1/2	1.72	1.45	-	0.410
3/4	1.95	1.71	-	0.620
1	2.06	2.07	-	0.820
1-1/4	2.26	2.50	-	1.580
1-1/2	2.41	2.82	-	2.070
2	2.75	3.41	-	3.000
2-1/2	3.22	4.12	-	6.820
3	3.50	4.75	-	11.04
4	3.85	6.00	-	17.00

All Dimensions are to the MSS Standard

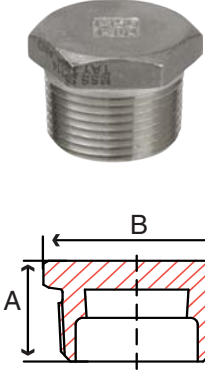
Threaded Fittings Class 150 conform to ASTM A351, ASME B1.20.1, MSS-SP-114 where applicable

Square Head Plug



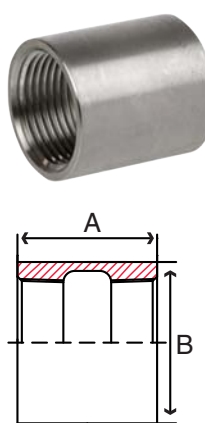
Size	Dimensions (in)			Weight (lb)
	A	B	C	
1/8	0.61	9/32	-	0.020
1/4	0.72	3/8	-	0.030
3/8	0.79	7/16	-	0.060
1/2	0.94	9/16	-	0.110
3/4	1.07	5/8	-	0.240
1	1.25	13/16	-	0.370
1-1/4	1.36	15/16	-	0.670
1-1/2	1.45	1-1/8	-	0.880
2	1.56	1-5/16	-	1.110
2-1/2	1.81	1-1/2	-	1.580
3	1.93	1-11/16	-	2.400
4	2.22	2-1/4	-	5.000

Hex Head Plug



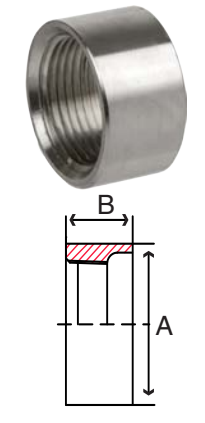
Size	Dimensions (in)			Weight (lb)
	A	B	C	
1/8	0.51	0.50	-	0.030
1/4	0.58	0.62	-	0.050
3/8	0.64	0.68	-	0.090
1/2	0.75	0.87	-	0.150
3/4	0.85	1.20	-	0.260
1	1.00	1.43	-	0.470
1-1/4	1.08	1.76	-	0.930
1-1/2	1.14	2.00	-	1.240
2	1.22	2.48	-	2.260
2-1/2	1.44	2.98	-	2.580
3	1.53	3.86	-	3.610
4	1.72	4.62	-	7.200

Full Coupling



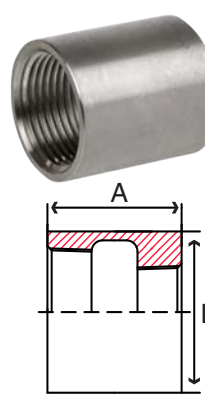
Size	Dimensions (in)			Weight (lb)
	A	B	C	
1/8	0.75	1.00	-	0.050
1/4	0.84	1.00	-	0.080
3/8	1.01	1.12	-	0.100
1/2	1.20	1.38	-	0.170
3/4	1.46	1.50	-	0.260
1	1.77	1.62	-	0.410
1-1/4	2.15	2.00	-	0.500
1-1/2	2.43	2.12	-	0.860
2	2.96	2.50	-	1.330
2-1/2	3.31	2.87	-	2.290
3	4.00	3.18	-	3.310
4	5.06	3.68	-	5.370
6	7.39	4.10	-	13.44

Half Coupling



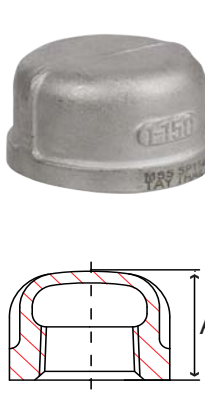
Size	Dimensions (in)			Weight (lb)
	A	B	C	
1/8	0.75	0.50	-	0.030
1/4	0.84	0.50	-	0.040
3/8	1.01	0.56	-	0.050
1/2	1.20	0.69	-	0.090
3/4	1.46	0.75	-	0.140
1	1.77	0.81	-	0.220
1-1/4	2.15	1.00	-	0.260
1-1/2	2.43	1.06	-	0.440
2	2.96	1.25	-	0.680
2-1/2	3.31	1.43	-	1.160
3	4.00	1.59	-	1.690
4	5.06	1.84	-	2.700
6	7.39	2.01	-	3.577

Reducing Coupling



Size	Dimensions (in)			Weight (lb)
	A	B	C	
1/8	0.75	1.00	-	0.060
1/4	0.84	1.00	-	0.100
3/8	1.01	1.12	-	0.130
1/2	1.20	1.38	-	0.220
3/4	1.46	1.50	-	0.330
1	1.77	1.62	-	0.530
1-1/4	2.15	2.00	-	0.650
1-1/2	2.43	2.12	-	1.110
2	2.96	2.50	-	1.730
2-1/2	3.31	3.25	-	2.980
3	4.00	3.68	-	4.300
4	5.06	4.38	-	6.980

Cap

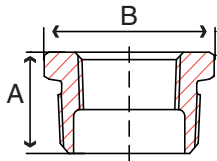


Size	Dimensions (in)			Weight (lb)
	A	B	C	
1/8	0.75	0.68	-	0.050
1/4	0.84	0.68	-	0.080
3/8	1.01	0.81	-	0.100
1/2	1.20	0.93	-	0.150
3/4	1.46	1.06	-	0.280
1	1.77	1.31	-	0.500
1-1/4	2.15	1.62	-	0.690
1-1/2	2.43	1.62	-	0.910
2	2.96	1.75	-	1.290
2-1/2	3.31	2.00	-	2.360
3	4.00	2.25	-	3.670
4	5.06	2.50	-	5.590

All Dimensions are to the MSS Standard

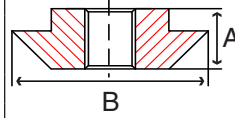
Threaded Fittings Class 150 conform to ASTM A351, ASME B1.20.1, MSS-SP-114 where applicable

Hex Bushing



Size	Dimensions (in)		Weight (lb)
	A	B	
1/4 x 1/8	0.56	5/8	0.030
3/8 x 1/8	0.66	11/16	0.050
3/8 x 1/4	0.66	11/16	0.050
1/2 x 1/8	0.75	7/8	0.080
1/2 x 1/4	0.75	7/8	0.080
1/2 x 3/8	0.75	7/8	0.080
3/4 x 1/8	0.84	1-1/16	0.160
3/4 x 1/4	0.84	1-1/16	0.160
3/4 x 3/8	0.84	1-1/16	0.160
3/4 x 1/2	0.84	1-1/16	0.160
1 x 1/8	1.00	1-3/8	0.350
1 x 1/4	1.00	1-3/8	0.350
1 x 3/8	1.00	1-3/8	0.350
1 x 1/2	1.00	1-3/8	0.350
1 x 3/4	1.00	1-3/8	0.350
1-1/4x1/8	1.09	1-3/4	0.560
1-1/4x1/4	1.09	1-3/4	0.560
1-1/4x3/8	1.09	1-3/4	0.560
1-1/4x1/2	1.09	1-3/4	0.560
1-1/4x3/4	1.09	1-3/4	0.560
1-1/4x1	1.09	1-3/4	0.560
1-1/2x1/8	1.12	2	0.650
1-1/2x1/4	1.12	2	0.650
1-1/2x3/8	1.12	2	0.650
1-1/2x1/2	1.12	2	0.650
1-1/2x3/4	1.12	2	0.650
1-1/2x1	1.12	2	0.650
1-1/2x1-1/4	1.12	2	0.650
2x1/4	1.22	2-1/2	1.260
2x3/8	1.22	2-1/2	1.260
2x1/2	1.22	2-1/2	1.260
2x3/4	1.22	2-1/2	1.260
2x1	1.22	2-1/2	1.260
2x1-1/4	1.22	2-1/2	1.260
2x1-1/2	1.22	2-1/2	1.260
2-1/2x1/2	1.44	3	1.480
2-1/2x3/4	1.44	3	1.480
2-1/2x1	1.44	3	1.480
2-1/2x1-1/4	1.44	3	1.480
2-1/2x1-1/2	1.44	3	1.480
2-1/2x2	1.44	3	1.480
3x1/4	1.53	3-1/2	2.140
3x3/8	1.53	3-1/2	2.140
3x1/2	1.53	3-1/2	2.140
3x3/4	1.53	3-1/2	2.140
3x1	1.53	3-1/2	2.140
3x1-1/4	1.53	3-1/2	2.140
3x1-1/2	1.53	3-1/2	2.140
3x2	1.53	3-1/2	2.140
3x2-1/2	1.53	3-1/2	2.140
4x1	1.85	4-5/8	4.280
4x1-1/4	1.85	4-5/8	4.280
4x1-1/2	1.85	4-5/8	4.280
4x2	1.85	4-5/8	4.280
4x2-1/2	1.85	4-5/8	4.280
4x3	1.75	4-5/8	4.280

Weld Spud



Size	Dimensions (in)			Weight (lb)
	A	B	C	
1/8	0.421	1.375	-	0.026
1/4	0.500	1.500	-	0.055
3/8	0.500	1.625	-	0.066
1/2	0.594	1.750	-	0.154
3/4	0.656	1.937	-	0.176
1	0.781	2.187	-	0.253
1-1/4	0.750	2.687	-	0.370
1-1/2	0.875	3.000	-	0.451
2	0.937	3.500	-	0.661
2-1/2	1.000	4.062	-	1.102
3	1.000	4.625	-	1.322
4	1.125	5.815	-	2.645

All Dimensions are to the MSS Standard

Threaded Fittings Class 150 conform to ASTM A351, ASME B1.20.1, MSS-SP-114 where applicable

90° Elbow

Size	Dimensions (in)			Weight (lb)
	A	B	C	
1/2	1.12	-	-	0.330
3/4	1.31	-	-	0.530
1	1.50	-	-	0.880
1-1/4	1.75	-	-	1.320
1-1/2	1.93	-	-	1.640
2	2.25	-	-	2.250
2-1/2	2.68	-	-	4.380
3	3.06	-	-	6.380
4	3.81	-	-	10.30

45° Elbow

Size	Dimensions (in)			Weight (lb)
	A	B	C	
1/2	0.87	-	-	0.230
3/4	1.00	-	-	0.420
1	1.12	-	-	0.610
1-1/4	1.31	-	-	1.050
1-1/2	1.43	-	-	1.500
2	1.68	-	-	2.020
2-1/2	1.93	-	-	3.800
3	2.18	-	-	5.870
4	2.62	-	-	9.540

Tee

Size	Dimensions (in)			Weight (lb)
	A	B	C	
1/2	1.12	-	-	0.450
3/4	1.31	-	-	0.700
1	1.50	-	-	1.110
1-1/4	1.75	-	-	1.900
1-1/2	1.93	-	-	2.080
2	2.25	-	-	3.310
2-1/2	2.68	-	-	5.910
3	3.06	-	-	9.370
4	3.81	-	-	16.01

Union

Size	Dimensions (in)			Weight (lb)
	A	B	C	
1/2	1.72	1.45	-	0.360
3/4	1.94	1.71	-	0.560
1	2.06	2.07	-	0.900
1-1/4	2.26	2.50	-	1.350
1-1/2	2.41	2.82	-	2.050
2	2.75	3.41	-	3.050

Full Coupling

Size	Dimensions (in)			Weight (lb)
	A	B	C	
1/2	1.38	1.20	-	0.150
3/4	1.50	1.46	-	0.230
1	1.62	1.77	-	0.430
1-1/4	2.00	2.15	-	0.530
1-1/2	2.12	2.43	-	0.670
2	2.50	2.96	-	1.280
2-1/2	2.87	3.31	-	2.290
3	3.18	4.00	-	3.310
4	3.68	5.06	-	5.370

Reducing Coupling

Size	Dimensions (in)			Weight (lb)
	A	B	C	
1/2	1.38	1.20	-	0.190
3/4	1.50	1.46	-	0.290
1	1.62	1.77	-	0.560
1-1/4	2.00	2.15	-	0.690
1-1/2	2.12	2.43	-	0.870
2	2.50	2.96	-	1.660
2-1/2	2.87	3.31	-	2.970
3	3.18	4.00	-	4.300
4	3.68	5.06	-	6.980

All Dimensions are to the MSS Standard

Threaded Fittings Class 150 conform to ASTM A351, ASME B1.20.1, MSS-SP-114 where applicable

S30 1 4 E 002

Product Line	
S30	NPT INV Cast
S31	NPT INV Cast MSS
S32	NPT Domestic
S34	NPT Barstock
S36	Weld Spuds
S37	Cast MSS Socket Weld Fittings

Pressure	
1	150 #

Alloy	
4	304
6	316

Item Code	
E	90° Elbow
F	45° Elbow
T	Tee
X	Cross
C	Cap
U	Union
SE	Street 90° Elbow
CP	Coupling
RC	Reducing Coupling
HC	Half Coupling
HB	Hex Bushing
HP	Hex Head Plug
SP	Square Head Plug
WS	Weld Spud
IN	Insert

Size	
001	1/8"
002	1/4"
003	3/8"
004	1/2"
006	3/4"
010	1"
012	1-1/4"
014	1-1/2"
020	2"
024	2-1/2"
030	3"
040	4"
060	6"



150# Fittings

304 & 316
1/8" - 4"



Weld Fittings

304L & 316L SCH 10, 40 & 80
1/2" - 12"



Nipples

304L & 316L
SCH 40 WELDED & SCH 80 SEAMLESS
1/8" - 4" DIAMETER • CLOSE - ANY LENGTH



Pipe & Sanitary Tubing

Pipe, 304/304L & 316/316L
Sch 10, 40 & 80
Welded & Seamless 1/8" - 8"
Sanitary Tubing 1" - 4"



Flanges

304/304L & 316/316L
150# & 300# • 1/2" - 12"



3000# Forged Fittings

304L & 316L
THREADED & SOCKET WELD
1/8" - 4"



Belled-End Fittings

304L & 316L
1/2" - 2"



Valves

316/316L CAST AND FORGED
150#, 200#, 300#, 600#, 800#
BALL, GATE, GLOBE, & CHECK • 1/4" - 12"



Grooved Fittings

304L & 316L
Sch 10 & Sch 40
1-1/2" - 12"



Compression Fittings

316 STAINLESS
DOUBLE FERRULE

Instrumentation Tubing

304/304L & 316/316L
WELDED & SEAMLESS • 1/16" - 1"



Fabrication & Machining

FLANGED FITTINGS MADE TO ORDER
CUSTOM MACHINING OF FLANGES



Specialty Fittings

316 KING COMBO NIPPLES
WELD SPUDS
HEX NIPPLES