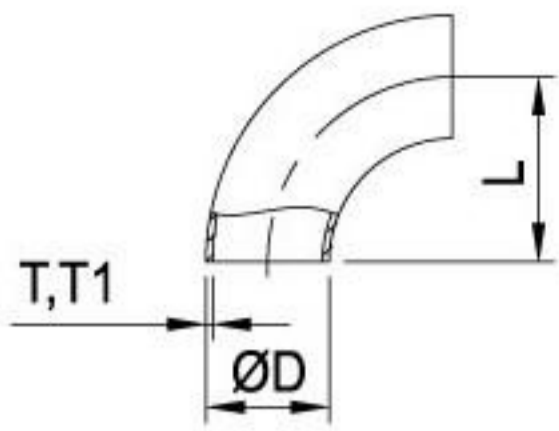


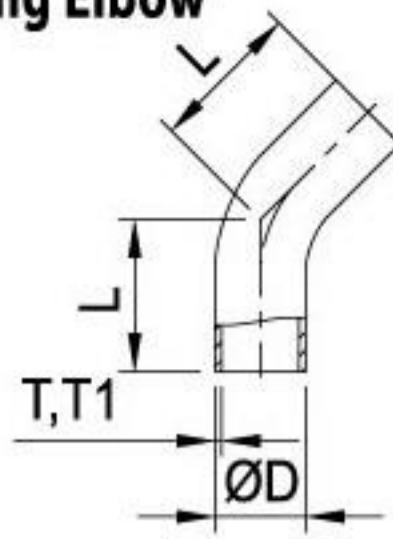
90° Short Elbow



SMS 90 B 90° Short Elbow

DN	ØD	L	T	T1
25	25.0	37.5	1.25	1.5
38	38.0	57.0	1.25	1.5
51	51.0	76.5	1.25	1.5
63.5	63.5	95.25	1.5	1.5
76	76.1	114.15	1.6	2.0
104	104	152.1	2.0	2.0

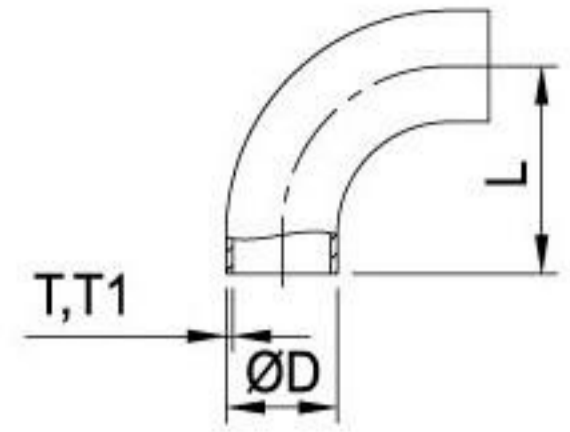
45° Long Elbow



SMS 45 LB 45° Long Elbow

DN	ØD	L	T	T1
25	25.0	42.33	1.25	1.5
38	38.0	48.72	1.25	1.5
51	51.0	58.15	1.25	1.5
63.5	63.5	75.3	1.5	1.5
76	76.1	79.37	1.6	2.0
104	104	85.54	2.0	2.0

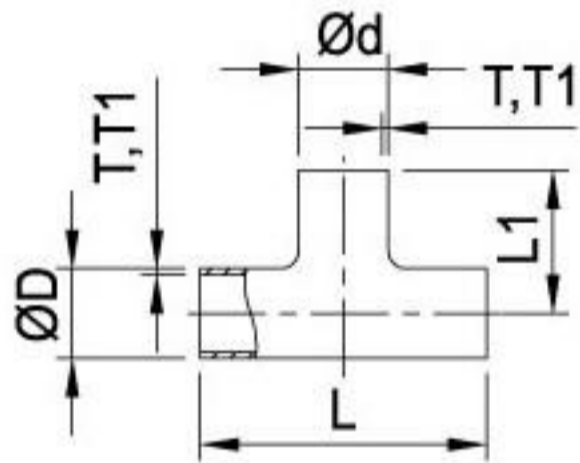
90° Long Elbow



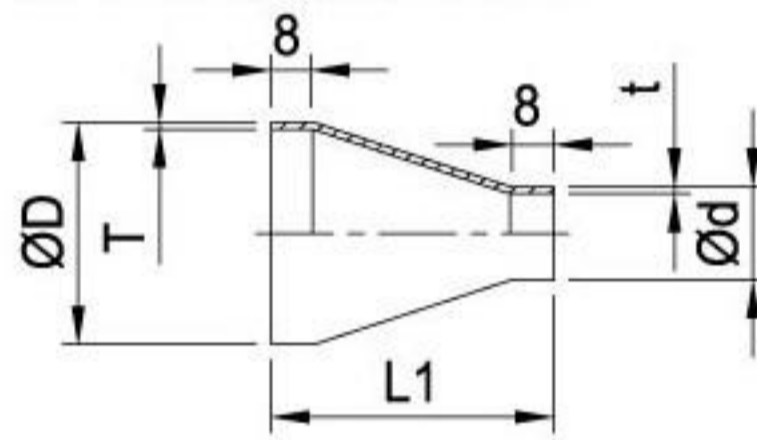
SMS 90 LB 90° Long Elbow

DN	ØD	L	T	T1
25	25.0	55	1.25	1.5
38	38.0	70	1.25	1.5
51	51.0	82	1.25	1.5
63.5	63.5	105	1.5	1.5
76	76.0	110	1.6	2.0
101.6	101.6	150	2.0	2.0
104	104	150	2.0	2.0

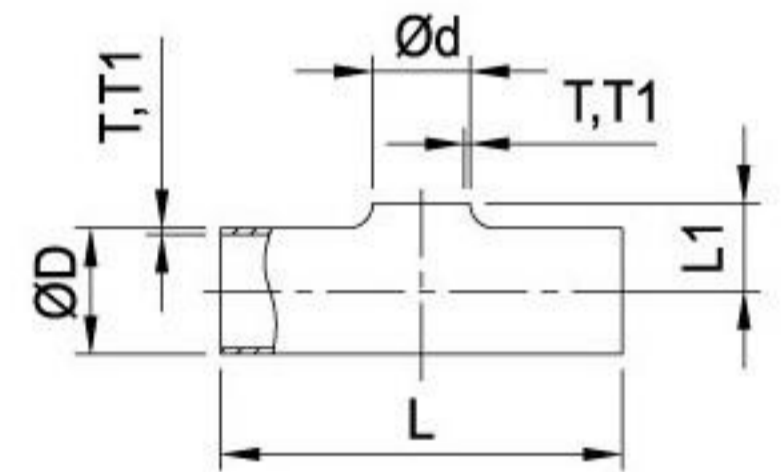
SMS ET Tee With Straight-End



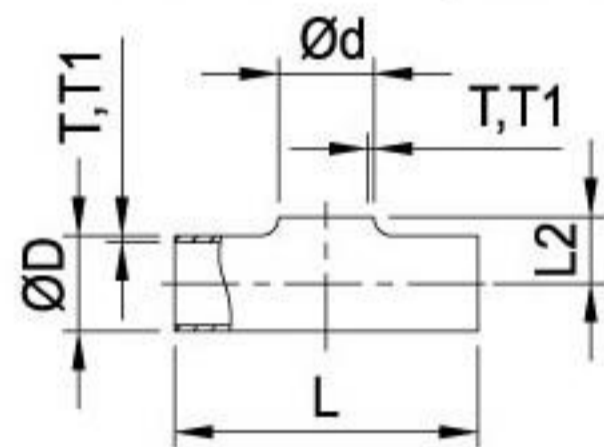
SMS CR SMS Concentric Reducer



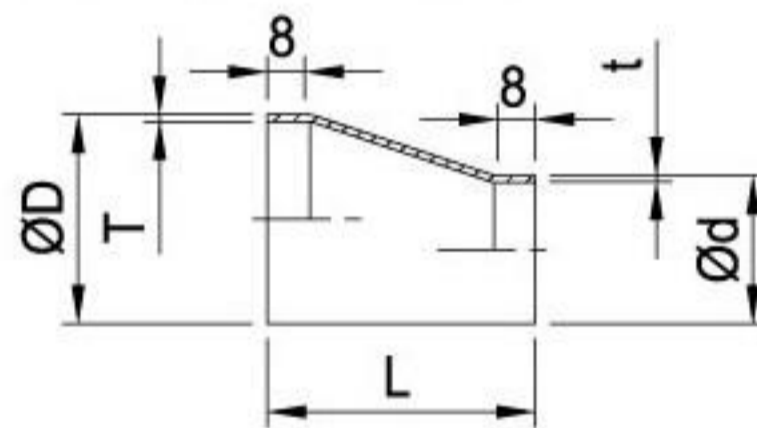
SMS PRT Welding Reducing Tee Without Straight-End



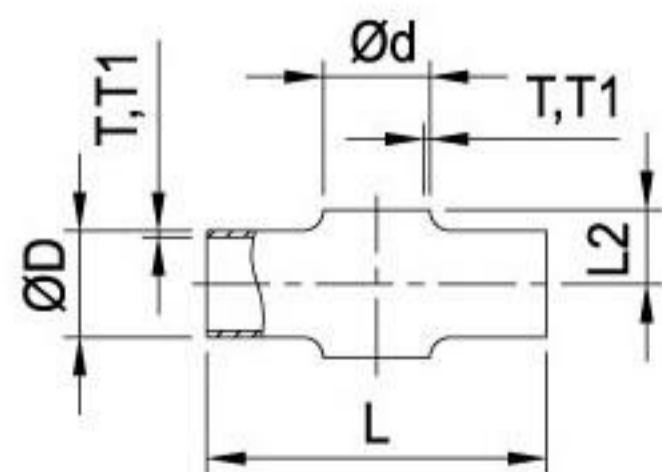
SMS PT Tee Without Straight-End



SMS ER SMS Eccentric Reducer



SMS PC Welding Cross Without Straight-End



SIZE	ØD	Ød	T	t	L1	L
38x25	38.0	25.0	1.25	1.25	46	39
51x25	51.0	25.0	1.25	1.25	68	57
51x38	51.0	38.0	1.25	1.25	47	39
63.5x25	63.5	25.0	1.5	1.25	92	74
63.5x38	63.5	38.0	1.5	1.25	70	57
63.5x51	63.5	51.0	1.5	1.25	44	39
76x25	76.1	25.0	1.6	1.25	-	92
76x38	76.1	38.0	1.6	1.25	92	74
76x51	76.1	51.0	1.6	1.25	68	57
76x63.5	76.1	63.5	1.6	1.50	47	39
104x51	104	51.0	2.0	1.25	117	95
104x63.5	104	63.5	2.0	1.50	94	78
104x76	104	76.1	2.0	1.60	74	60

DN	ØD	Ød	T	T1	L	L1
38x25	38.0	25.0	1.25	1.5	140	21.0
51x25	51.0	25.0	1.25	1.5	164	29.0
51x38	51.0	38.0	1.25	1.5	164	29.0
63.5x25	63.5	25.0	1.5	1.5	210	34.5
63.5x38	63.5	38.0	1.5	1.5	210	35.0
63.5x51	63.5	51.0	1.5	1.5	210	36.0
76.1x25	76.1	25.0	1.6	2.0	220	41.0
76.1x38	76.1	38.0	1.6	2.0	220	42.0
76.1x51	76.1	51.0	1.6	2.0	220	43.0
76.1x63.5	76.1	63.5	1.6	2.0	220	43.0
104x25	104	25.0	2.0	2.0	300	56.0
104x38	104	38.0	2.0	2.0	300	56.0
104x51	104	51.0	2.0	2.0	300	57.0
104x63.5	104	63.5	2.0	2.0	300	58.0
104x76.1	104	76.1	2.0	2.0	300	58.0

DN	ØD	Ød	T	T1	L	L1	L2
25	25.0	25.0	1.25	1.5	110	55	14.0
38	38.0	38.0	1.25	1.5	140	70	21.0
51	51.0	51.0	1.25	1.5	164	82	28.5
63.5	63.5	63.5	1.5	1.5	210	105	36.0
76.1	76.1	76.1	1.6	2.0	220	110	43.0
104	104	104	2.0	2.0	300	150	58.0